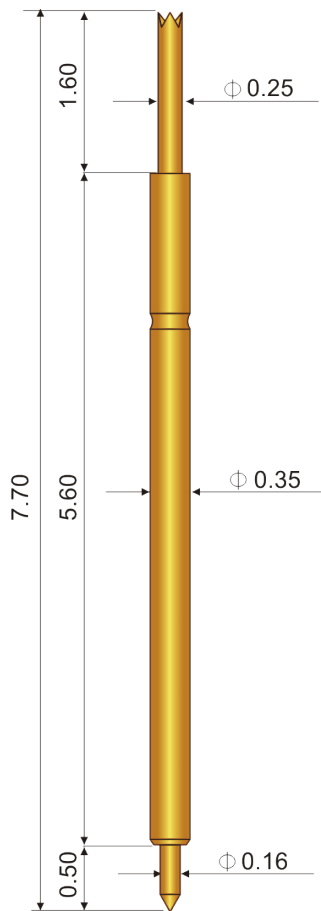


Pitch 0.45 mm

## SCPC035-XY-77-0.65GG(BB)

Y:Top Plunger II (Device Side)



X:Bottom Plunger I (PCB Side)

**Materials(plated):**

**Unit:mm**

Barrel	Ph, Au on Ni Plated
X:Bottom ( Plunger I)	BeCu, Au on Ni Plated
Y:Top ( Plunger II)	BeCu, Au on Ni Plated
Spring	SWP-A/B, Au on Ni Plated

**Electrical Spec.:**

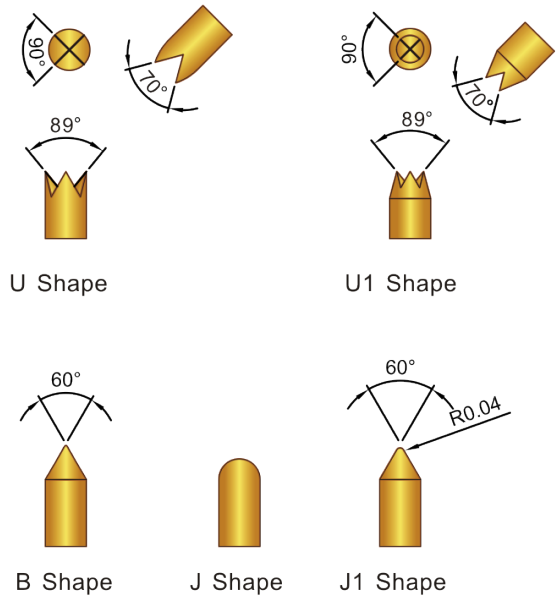
Current Rating	2.5 Amps
Contact Resistance	100 mohms max
Bandwidth	5.8GHz@-1dB
Propagation Delay	40 ps
Inductive Reactance	1MHZ@0.01039uH
Capacitive Reactance	1MHZ@-2.35287uF

**Specifications:**

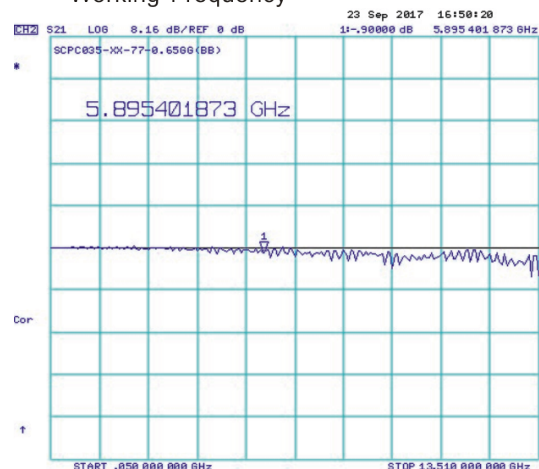
Full Stroke	1.00 mm
Rated Stroke	0.50 mm
Spring Force	18 ± 5gf@load 0.50 mm
Mechanical Life Exceeds	200,000 cycles

Test result is subjected to testing condition

• Plunger Head Shape



• Working Frequency



• Spring force and stroke relationship

